

READ THESE INSTRUCTIONS BEFORE PROCEEDING DO NOT CHANGE PRESS LAYOUT FOR ANY REASON. CALL LA ENVELOPE 323-838-9300

Printed stock must be printed in the same position as the furnished layout/s.
Never print envelope dieline or window dieline

OVER BLEED GUIDELINES:

Provide 1/8" over bleed off envelope dieline (die cut).
Provide 1/16" wrap over any score (fold).

SPOTTER MARKS:

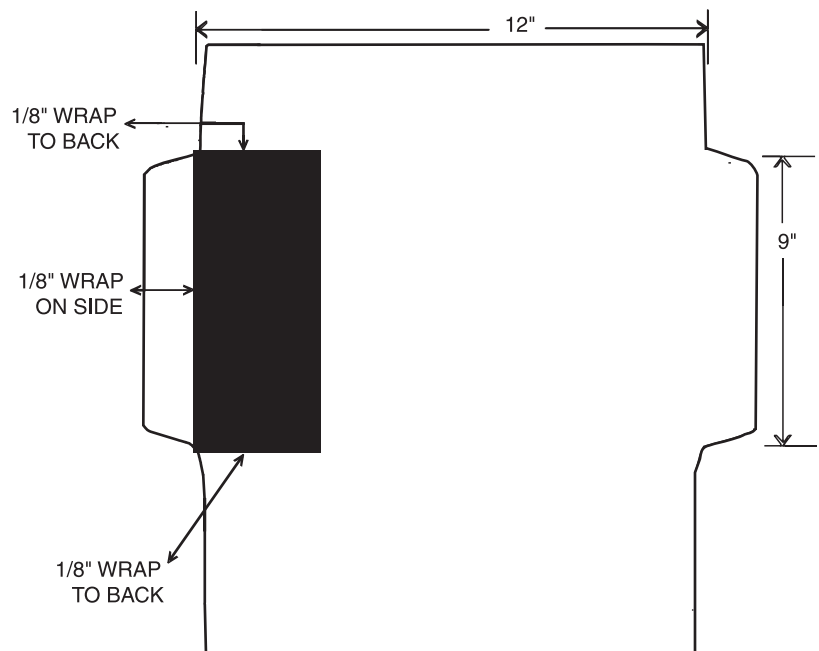
Spotter marks are essential for die cutting in the proper position.
Print first 2% of your job with spotter marks and remove for the balance of the run.
Keep sheets separate, clearly marked at the top of the load.

SKID PACK:

Stock must be delivered flat, well jogged, protected, and face up, additional handling WILL DELAY YOUR JOB and charged accordingly.
Clearly mark each skid with the number of sheets. Keep sample stock separate.
Provide rule-up, blueline, or sample for position along with press layout.

Please call with any questions.

1/16" - 1/8" WHITE WRAP
TO BACK ON SOLID
COLOR FLAPS



Thank you for your cooperation

L.A. ENVELOPE CO, INC.
Ph: (323)838-9300
Fax: (323)838-6120

◀ sheet size 17 ▶

▶ sheet size 11 ▶

